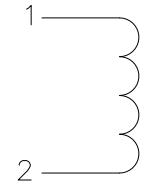
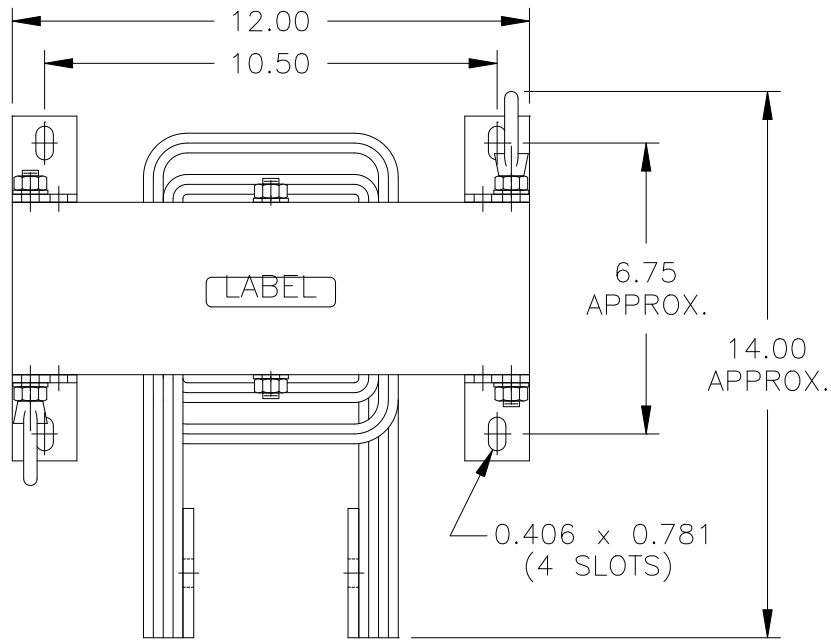
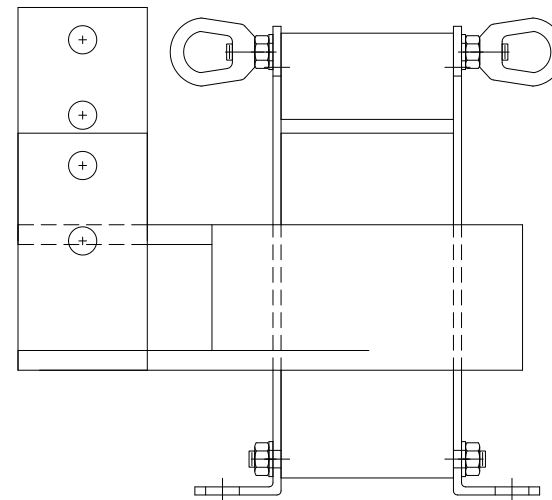
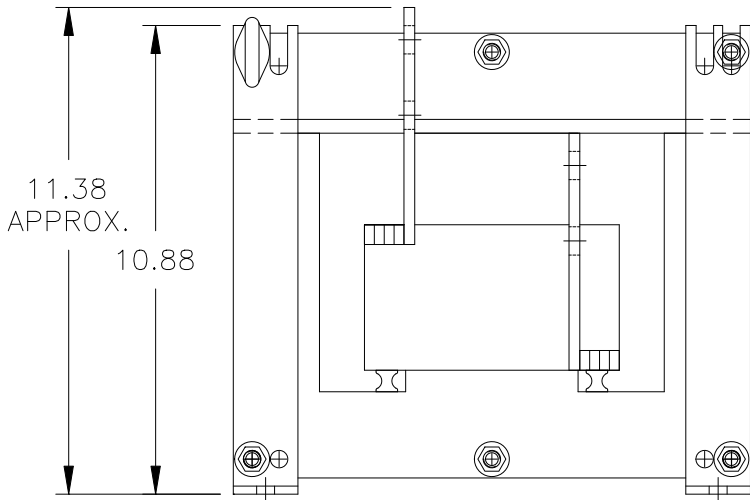


NO.	CHANGE DESCRIPTION	BY	DATE	C'K'D
01	REVISED PER ECR 7175, ADDED AD	RS	8/24/10	



$L(1-2) = 0.044 \text{mH} \pm 10\%$
 $I_{dc} = 700 \text{ Amps}$



UNLESS OTHERWISE SPECIFIED, DIMENSIONS ARE IN INCHES [mm] AND TOLERANCES ARE:

DECI. ± 0.030 [.76] FRAC. $\pm 1/8"$ [3.18]

ANGLES $\pm 1^\circ$ DRILLED HOLES ± 0.010 [.25]

PART NAME:	DC LINK CHOKE
DESCRIPTION:	ASSEMBLY
FINISH:	SPSDOC EF1FIN1 & SPF003

MTE CORPORATION MENOMONEE FALLS, WISCONSIN		
AD 700RB001		REV. 01
SCALE	NTS	DATE 12/08/05
REF.	DR. BY KFL	APP'D

FILE: